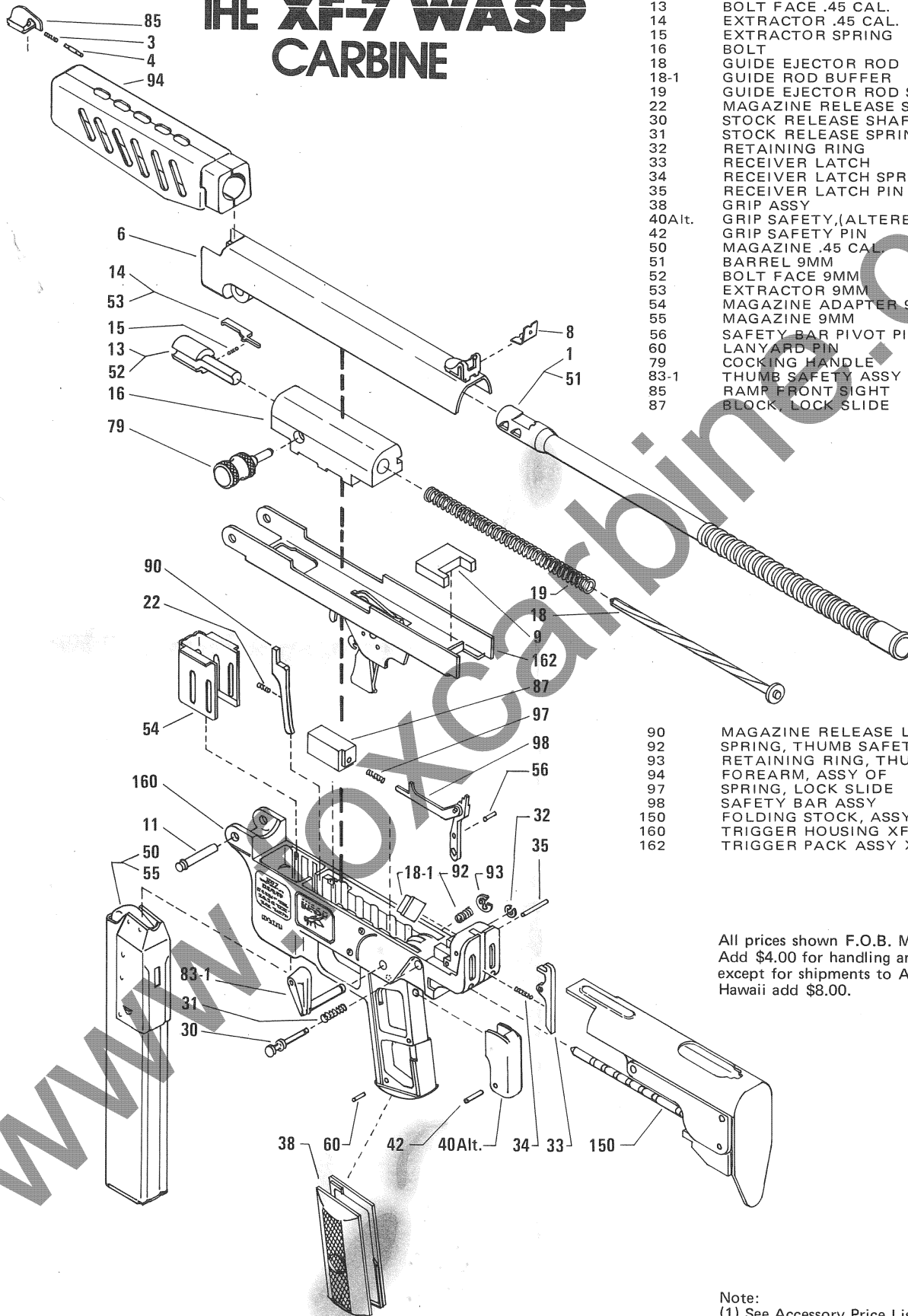


# DEMRO

DEMRO PRODUCTS, INC.,  
372 Progress Drive  
Manchester, CT. 06040/(203) 649-4444

## THE XF-7 WASP CARBINE

PART NO.	PART NAME	PRICE
1	BARREL ACP .45 CAL.	\$102.65
3	FRONT SIGHT SPRING	.55
4	FRONT SIGHT PIN	.95
6	RECEIVER TOP ASSY	53.50
8	REAR SIGHT LEAF	2.45
9	BOLT BUFFER	3.90
11	HINGE PIN ASSY	3.50
13	BOLT FACE .45 CAL.	42.85
14	EXTRACTOR .45 CAL.	6.25
15	EXTRACTOR SPRING	.55
16	BOLT	99.75
18	GUIDE EJECTOR ROD ASSY	5.00
18-1	GUIDE ROD BUFFER	4.05
19	GUIDE EJECTOR ROD SPRING	2.90
22	MAGAZINE RELEASE SPRING	1.05
30	STOCK RELEASE SHAFT	7.95
31	STOCK RELEASE SPRING	1.05
32	RETAINING RING	1.05
33	RECEIVER LATCH	8.30
34	RECEIVER LATCH SPRING	.95
35	RECEIVER LATCH PIN	1.00
38	GRIP ASSY	21.40
40Alt.	GRIP SAFETY,(ALTERED)	5.35
42	GRIP SAFETY PIN	1.05
50	MAGAZINE .45 CAL.	(1)
51	BARREL 9MM	102.65
52	BOLT FACE 9MM	42.80
53	EXTRACTOR 9MM	6.25
54	MAGAZINE ADAPTER 9MM	5.55
55	MAGAZINE 9MM	(1)
56	SAFETY BAR PIVOT PIN	1.25
60	LANYARD PIN	.95
79	COCKING HANDLE	9.40
83-1	THUMB SAFETY ASSY	12.80
85	RAMP FRONT SIGHT	15.95
87	BLOCK, LOCK SLIDE	9.60



90	MAGAZINE RELEASE LEVER	6.35
92	SPRING, THUMB SAFETY	1.25
93	RETAINING RING, THUMB SAFETY	1.15
94	FOREARM, ASSY OF	39.75
97	SPRING, LOCK SLIDE	1.05
98	SAFETY BAR ASSY	8.80
150	FOLDING STOCK, ASSY OF	106.95
160	TRIGGER HOUSING XF-7 WASP	123.40 (2)
162	TRIGGER PACK ASSY XF-7 WASP	103.75

All prices shown F.O.B. Manchester, CT.  
Add \$4.00 for handling and shipping,  
except for shipments to Alaska or  
Hawaii add \$8.00.

Note:  
(1) See Accessory Price List  
(2) If ordering Part Number 160 Trigger Housing,  
XF-7 Wasp, add \$38.75 Federal Excise Tax in  
accordance with Federal Regulations.